

CYLINDER MOTOR KIT

1. STANDARD MOTOR UP TO 40Nm STALL TORQUE
2. ALL FACRICATION 304 STAINLESS STEEL STANDARD

SIZE-A3

TITLE : SQUARE SPINDLE COMPLETE DRIVE KIT

DRG.NO.- 107DA1016-01

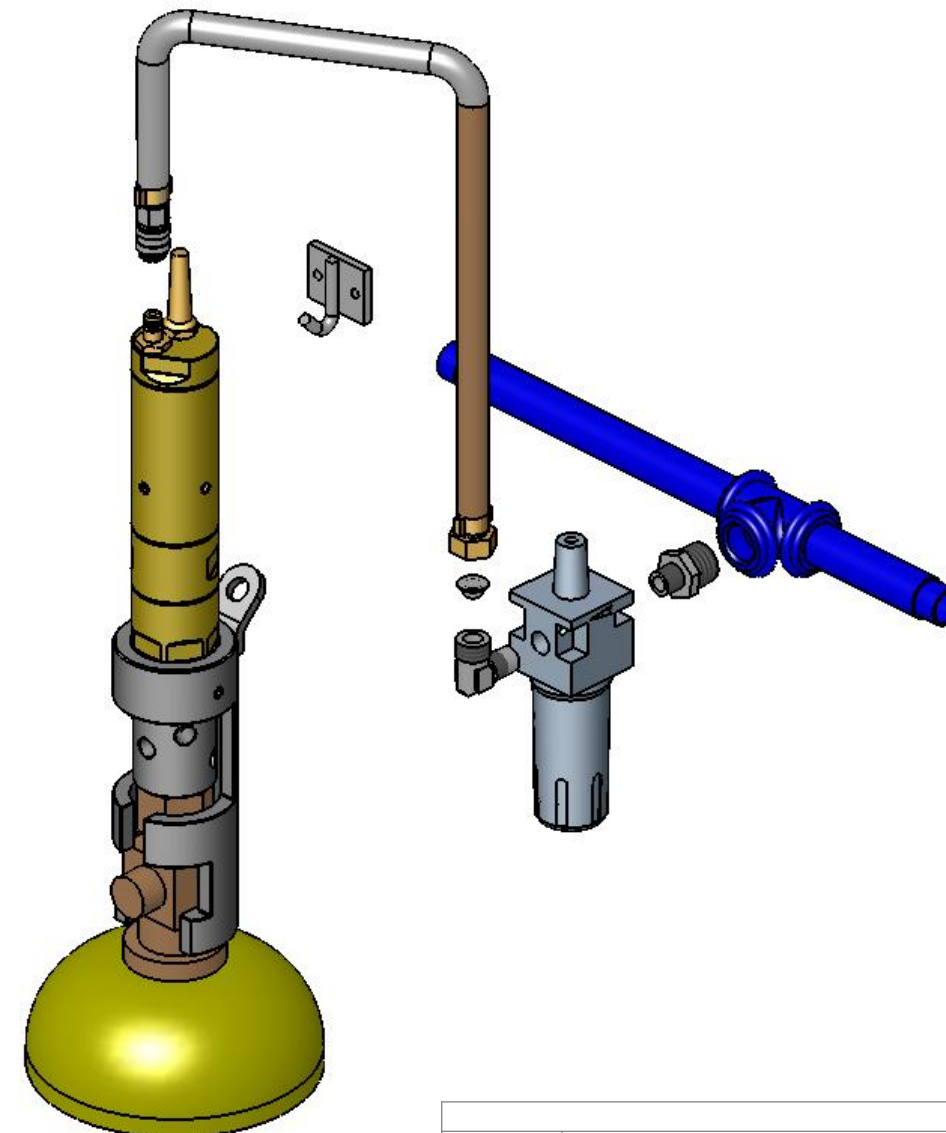
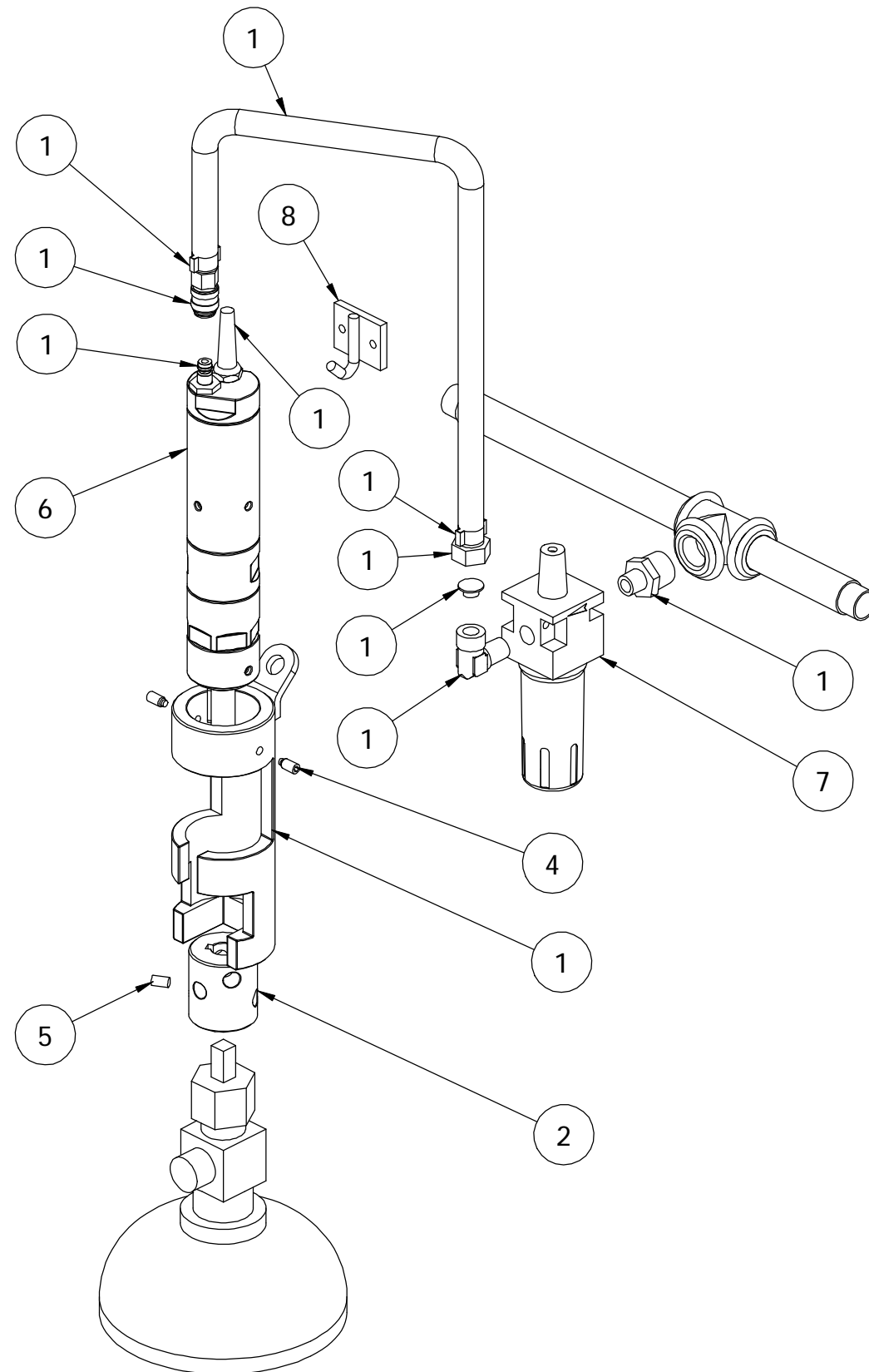
PSI PART NO. 107DA1016-01

SCALE DRAWN DATE

CUST. PART NO. PART NO2

NTS L.C 18/10/10

KIT	ITEM NO	PART	QTY	DESCRIPTION
107DA1016-01	1	107DA2016	1	SQUARE SPINDLE FITTINGS KIT - SEE 107DA2016 SPEC
107DA1016-01	2	CHCG659	1	AIR MOUNTING BRACKET
107DA1016-01	3	CHCG652	1	DRIVE ADAPTOR 3/8" SQUARE
107DA1016-01	4	CHM6X12DPSS	2	M6 X 12 DOG POINT SOCKET SET SCREW STAINLESS STEEL
107DA1016-01	5	CHM6X10CPSS	1	M6 X 10 CUP POINT SOCKET SET SCREW STAINLESS STEEL
107DA1016-01	6	CH8411033411	1	AIR MOTOR
107DA1016-01	7	CH1223001	1	1/4" BSP LUBRICATOR
107DA1016-01	8	CHCG658	1	WALL HANGER BRACKET



REV.	DESCRIPTION	DATE	DRAWN BY
1	FIRST DRAWN	18/10/10	L.C

PSI PSI Global Ltd., South Industrial Est., Bowburn, Durham, England, DH6 5AD
 Tel. : (0191)3770550 Fax. : (0191) 3770769
 This drawing is the property of PSI Global Ltd. and must not be copied or reproduced without prior written consent. The copyright belongs to the company.

STATUS:
PRODUCTION